



Follow the Leader™

## NON-BELTED CHECKOUTS

### UNI-NBCO-13 SERIES

Introducing the **Unisource Non-Belted Checkout Series** for Supermarkets, Convenience and Dollar Stores, Discount Drug and Specialty Retail. We offer high quality workmanship and construction that's built to last. Available in many other non-belted checkouts. We also can custom build any unit to your spec!

#### STANDARD FEATURES

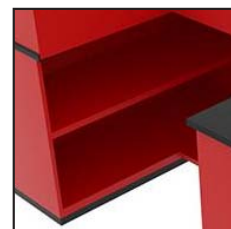
- Includes Non-Belted, One Unit Of System
- Grommet Hole In Cashier Stand for Power Plug
- Cash Shield
- Outside storage with Shelf
- Plastic Upper Bumper Guards
- Protective Corners
- Stainless Steel Deck Surface
- Many Exterior Colors Available
- Utility Drawer
- Access Panel
- Isolated Ground Circuit
- 120 Volts
- Two Order Dividers

#### OPTIONS

- Laminate Deck Surface
- Extra Order Dividers
- Electrical Receptacle For Merchandiser
- Lane Closure Gate
- Cash Stand
- Chrome Bag Rack
- Diverter Bar
- Security Mirror
- EFT Holder
- Scanner Kit
- Keyboard Stand With EFT Holder or Keyboard Stand Only
- Monitor/Readout Post
- A.D.A. Check Writer
- Extra Bumper Protection
- Many Custom Color Options Available



Angled Counter



Storage area



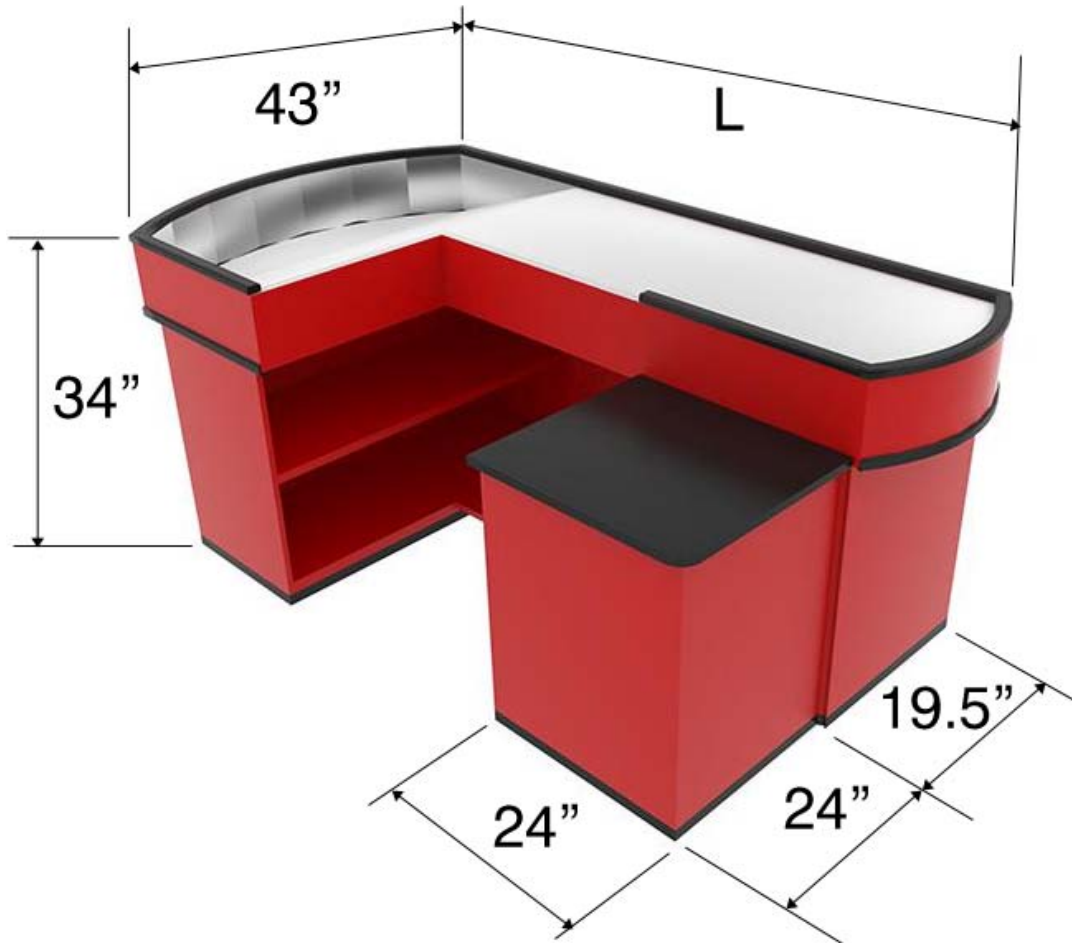
Storage & Drawer

Direct Phone & Service: (516) 527-3309 • (888) 443-7014 • [info@unisourcefoodequipment.com](mailto:info@unisourcefoodequipment.com) • [unisourcefoodequipment.com](http://unisourcefoodequipment.com)  
170 Wilbur Place, Suite 300, Bohemia, New York, 11716

*Follow the Leader™*

# NON-BELTED CHECKOUTS

## UNI-NBCO-13 SERIES



| Model          | Overall Length (L) | Overall Width (W) | Overall Height (H) | Front Counter Width | Under Counter Storage L x W (A) | Cashier Stand | Weight (Lbs.) |
|----------------|--------------------|-------------------|--------------------|---------------------|---------------------------------|---------------|---------------|
| UNI-NBCO-13-60 | 60"                | 43"               | 34"                | 19.5"               | 43" x 19.5"                     | 24" x 24"     | 200 lbs.      |
| UNI-NBCO-13-72 | 72"                | 43"               | 34"                | 19.5"               | 43" x 19.5"                     | 24" x 24"     | 250 lbs.      |
| UNI-NBCO-13-84 | 84"                | 43"               | 34"                | 19.5"               | 43" x 19.5"                     | 24" x 24"     | 350 lbs.      |

Direct Phone & Service: (516) 527-3309 • (888) 443-7014 • [info@unisourcefoodequipment.com](mailto:info@unisourcefoodequipment.com) • [unisourcefoodequipment.com](http://unisourcefoodequipment.com)  
170 Wilbur Place, Suite 300, Bohemia, New York, 11716