



Follow the Leader™

Floral • Deli • Seafood • Meat • Bakery • Produce • Front End

INTRODUCING UNISOURCE HEAVY DUTY “Volumetric” DIVIDER

This Unisource heavy duty compact divider has a **special designed** dividing drum and **intake piston** therefore, ensures careful dough handling at minimum pressure and no warming of dough.

It divides even **sensitive dough** as **gently** as by hand. The hopper and all panels are made of **stainless steel**. Weight adjustment is done by push buttons in this automatic model.

The electronic control system is also displayed on digital display as a ratio of dough processed.

Weight ranges are (1.76 oz.-8.8 oz.) (5.2 oz.-22.9 oz.) (8.8 oz. - 38.8 oz.)

Total motor power is 5 Amps 220/60/3 Phase (Flour, water ratio less than 50 %).



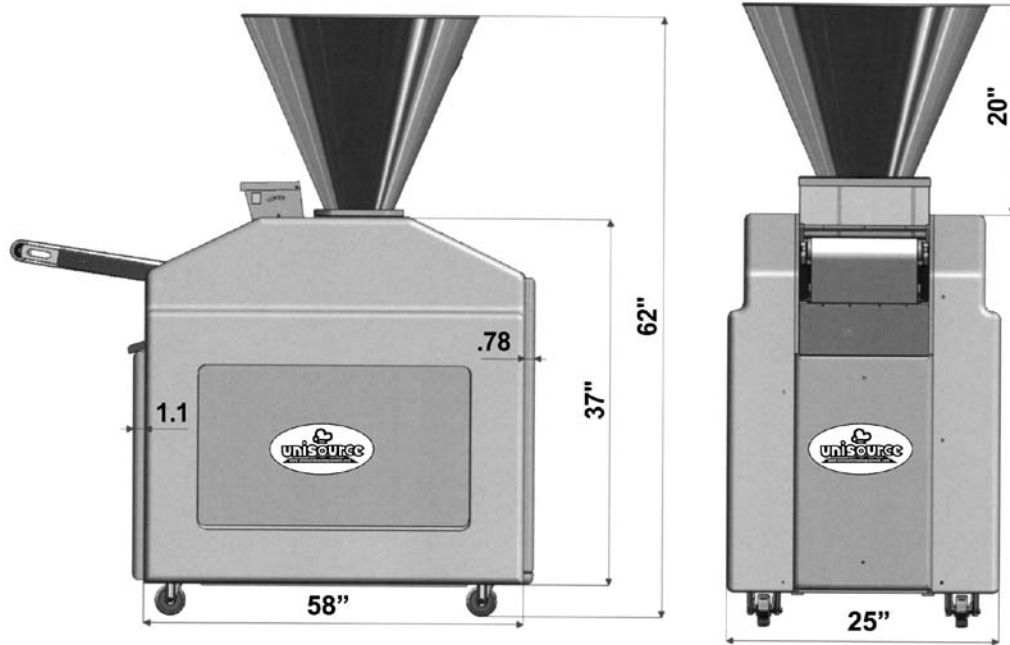
TECHNICAL SPECIFICATIONS

- Heavy duty Frame, Piston & Hopper.
- Dividing drum **chromium-plated** and cylinder is **stainless steel**.
- Sucking piston **anticorrosive**.
- 24 V control board with digital readout.
- Heavy Duty Casters.
- Machine weight 1100 lbs. - 1200 lbs.
- Industrial model.
- Steeples output **speed adjustment**.
- **Closed circuit** oiling system.
- Standard dough counting.
- Powering with directly from redactor.
- Individually start/stop of flouring motor.
- Heavy duty plastic material lids.(optional)
- Dough doubling at conveyor belt.
- 1 year parts & labor
- 24/7 Nationwide Service.



Follow the Leader™

INTRODUCING UNISOURCE HEAVY DUTY “Volumetric” DIVIDER



MODEL	DM 2100	DM 2002
Electric Power Amps	5	5
Cutting Weight (oz)	1.7-8.8	1.4-5.6
	5.2-22.9	1.7-8.8
	8.8-38.8	5.2-22.9
Cutting Capacity Per Hr	700-2200	1400-4000
Piston Dia.	700/800/1100/1300	700/800/1100
Width (Inches)	25	33
Depth (Inches)	58.2	58.2
Height (Inches)	62	62
Dough Capacity of Hopper	60	200/250
Pistons	1	2
Dough Output	900-1100	900-1000
Weight (lbs)	1100	1200

Direct Phone & Service: (516) 527-3309 • (888) 443-7014 • info@unisourcefoodequipment.com • unisourcefoodequipment.com
170 Wilbur Place, Suite 300, Bohemia, New York, 11716