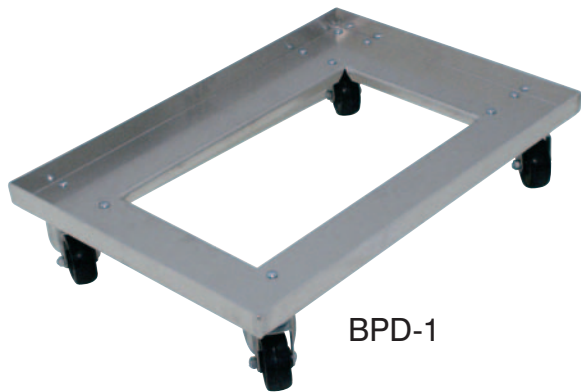




*Follow the Leader™*

## INTRODUCING Aluminum Bun Pan Dollies & Pan Trucks



BPD-1



PD-1

### **BUN PAN DOLLY:**

#### *Features:*

- Heavy duty welded construction. Holds 60 full size pans.
- 3" bolted plate casters. 600 lbs. weight capacity.
- Curved top design. Heavy duty welded construction.
- Holds 60 full size pans.
- 3" bolted plate casters. 600 lbs. weight capacity.
- Fully welded construction.
- Heavy duty gauge aluminum plate

### **PAN TRUCK:**

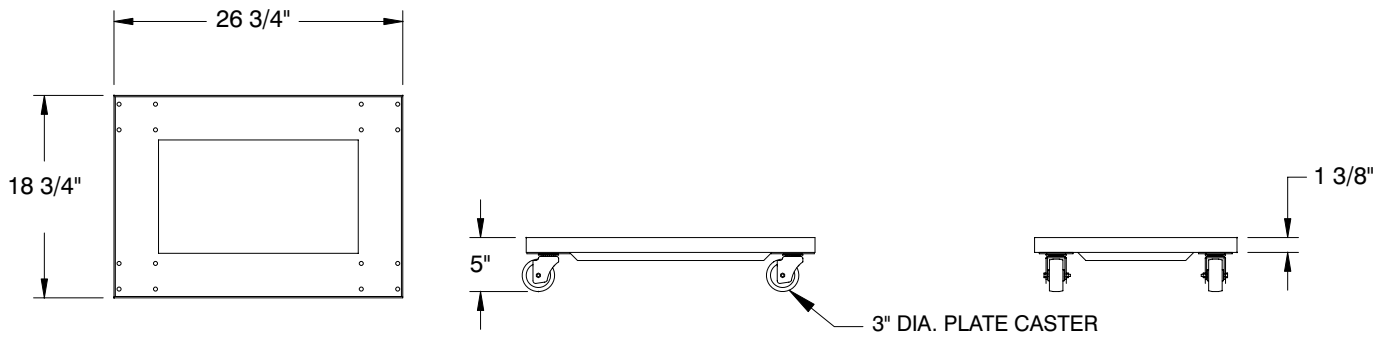
#### *Features:*

- Heavy duty welded construction. Holds 60 full size pans.
- 3" bolted plate casters. 600 lbs. weight capacity.
- Curved top design. Heavy duty welded construction.
- Holds 60 full size pans.
- 3" bolted plate casters. 600 lbs. weight capacity.
- Fully welded construction.
- Heavy duty gauge aluminum plate, 6063-T52 extruded upright tubing (PD-1).

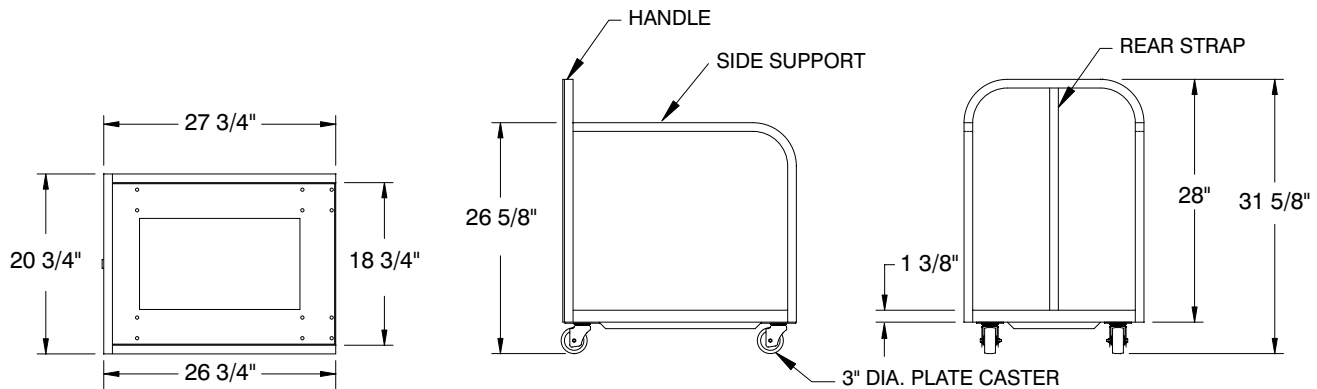


# Aluminum Bun Pan Dollies & Pan Trucks

BPD-1 Pan Dolly



PD-1 Pan Truck



Direct Phone & Service: (516) 527-3309 • (888) 443-7014 • [info@unisourcefoodequipment.com](mailto:info@unisourcefoodequipment.com) • [unisourcefoodequipment.com](http://unisourcefoodequipment.com)  
170 Wilbur Place, Suite 300, Bohemia, New York, 11716