



Follow the Leader™

Floral • Deli • Seafood • Meat • Bakery • Produce • Front End

INTRODUCING
UNISOURCE HEAVY DUTY *Long Moulder*
For All Kinds of Doughs



The Unisource Heavy Duty Long Moulder is **suitable for all dough pieces**, including thin **bread and small baguettes**.

The machine has **four pieces** of rollers and roller gap is **adjustable between 0 - 1.2"**. Rollers are equipped with nylon scrapers which are fixed to the frame.

Pressure board is **adjustable** and can be folded up for cleaning purposes. Maximum moulding length is 16-1/2". (Flour and water ratio less than 50%) Hourly capacity is 2800 pieces of dough.

Motor power 0.55 kw. 208-230/60/1 Phase and machine weight 500 lbs.

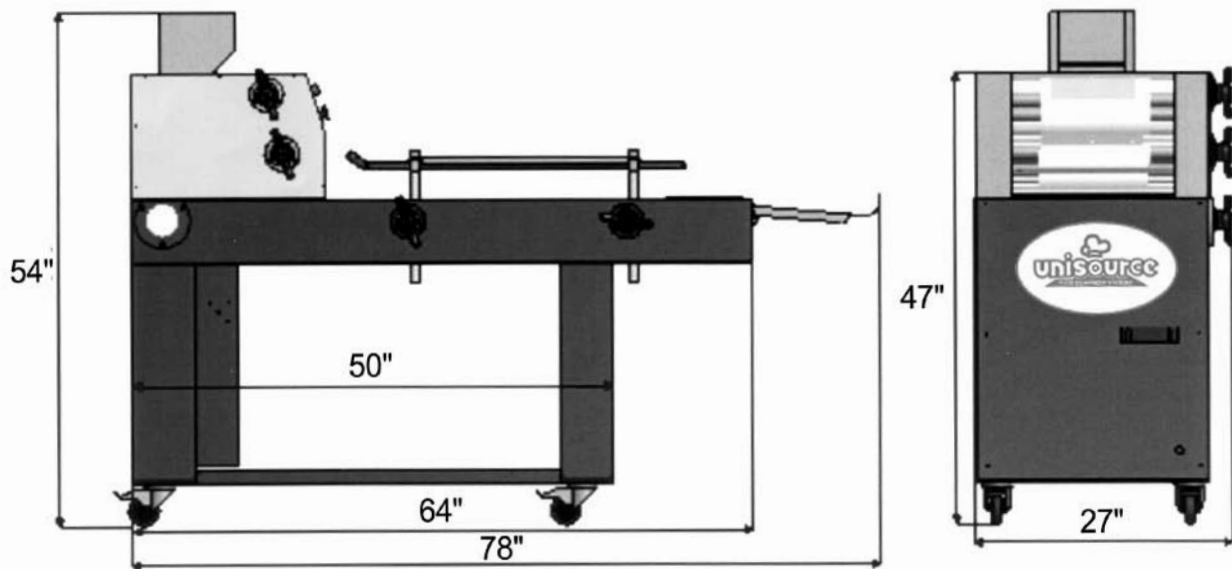
TECHNICAL SPECIFICATION

- Dough centering flaps
- Moulding belt, Food Grade Material
- Pressure board foldable and can be locked
- 24 V Control panel
- Wheel mounted and locking unit
- Completely made of stainless steel
- Machine weight 500 lbs.
- Stainless, nonstick, and special dough processing rollers are adequate for food safety.
- 1 Year Parts & Labor 24/7 Nationwide Service

Follow the Leader™

UNISOURCE HEAVY DUTY *Long Moulder*

For All Kinds of Doughs



TECHNICAL SPECIFICATIONS

Model	Capacity	Weight	External Dimensions	Motor Power	Power
UNI-3000 M	Pcs Dough/Hr. 2800 Per Hr.	lbs. 500	A x B x H (mm) 78" x 27" x 54"	Kw 208-230/60/1 Phase	Kw .55

Direct Phone & Service: (516) 527-3309 • (888) 443-7014 • info@unisourcefoodequipment.com • unisourcefoodequipment.com
170 Wilbur Place, Suite 300, Bohemia, New York, 11716