



# Chefmerica™

## INTRODUCING HEAVY DUTY

# 10 QUART PLANETARY MIXER

The **Chefmerica™** gear driven commercial planetary mixers are perfect for any small bakery, restaurant, deli and more. Their heavy duty construction and powerful motor will easily handle any type of mixing task needed with ease. Three fixed speeds and its direct drive 100% gear driven transmission allow the mixers to maintain a consistent mixing speed no matter how much product is in the mixing bowl.

Comes complete with a stainless steel mixing bowl, wire whisk, dough hook and flat beater attachments. 5' long power cord with a NEMA 5-15 plug. This unit is ETL Listed and ETL Sanitation and backed by Chefmerica's 1 year replace or repair warranty.

### OPERATION

- Powerful motors
- Direct drive 100% gear driven transmission for consistent mixing speed
- Three fixed mixing speeds with easy shift
- Push button On/Off switch
- 60 minute timer

### CONSTRUCTION

- Heavy duty construction
- Stainless steel wire safety guard around bowl
- Stainless steel bowl clamps hold mixing bowl securely in place during operation
- Rubber inserts on feet for stability

### ATTACHMENTS

- Includes wire whisk, dough hook and flat beater
- Stainless steel mixing bowl
- UNI-BAM-20 and UNI-BAM-30 feature a #12 hub for meat grinding attachments

### ELECTRICAL

- 120V
- 5' power cord with NEMA 5-15 plug
- Single phase electrical rating



**UNI-BAM-10**  
**10 QUART MIXER**

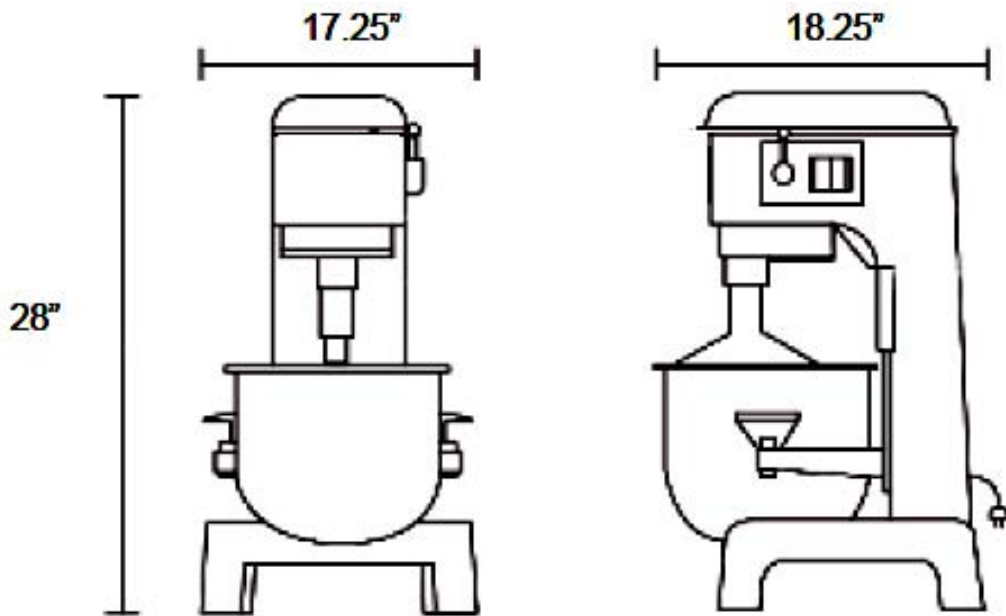




# Chefmerica™

**INTRODUCING  
HEAVY DUTY**

## **10 QUART PLANETARY MIXER**



### **SPECIFICATIONS**

Item Number	Description	Volts	Wattage	Amps	Horsepower	NEMA Plug
UNI-BAM-10	Planetary Mixer 10 Qt.	120V	600W	5	0.75 HP	5-15P

Item Number	Dimension	Speeds	RPMs	Hub Attachment	Timer
UNI-BAM-10	17.25"W x 18.25"D x 28"H	Three	113/184/341	N/A	N/A

### **SHIPPING INFO**

Item Number	Box Dimensions	Gross Weight	Net Weight
UNI-BAM-10	21.25"W x 19"D x 28"H	157 lbs	125 lbs

#### **Standard Accessories:**

- 10 Qt. Stainless Steel Bowl: 1 Pc.
- Mixing Hook: 1 Pc.
- Flat Beater: 1 Pc.
- Wire Whip: 1 Pc.

MODEL	BOWL CAPACITY	MOTOR	AGITATOR SPEED (RPM)	30 MIN. TIMER	SAFETY GUARD	Wt.
UNI-10CM	10 QT.	0.87HP	181-561	STD.	STD.	44 LBS.