



Create the New Dessert Craze Everyone is Raving About!
ICE CREAM & DONUT SANDWICHES & SUNDAES!

**SWIRLMATIC™ SOFT-SERVE ICE CREAM/YOGURT MACHINE
 & DONUT ROBOT FRYER COMBO**

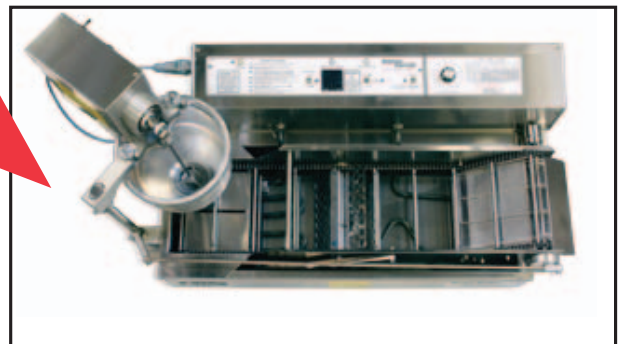
Swirlmatic™ offers all the popular soft service choices from Low Fat or Non-Fat Ice Cream to Custards, Frozen Yogurts And Sorbet. Swirlmatic™ has two separate multi-flavors or a combination of both with easy to use technology. Add a **Mark II Donut Robot Fryer** and create the ultimate, creative deserts! From sandwiches to sundaes!

Features:

- Italian design.
- Easy to clean.
- Dual flavor multi function twin serve.
- Food grade quality parts.
- High quality Franch Tecumseh Compressor.
- UL and NSF approved.
- Pre-Cooling System - Floor Model.
- Stand by overnight features.
- Stainless Steel Beater.
- Agitation Hopper Mixer Technology.
- Low Level Alarm.
- LCD Digital Display.
- Italian Design - Easy to Clean.
- Low noise/defrost.
- Frequency Convertor Technology.
- Uniform dispensing.
- Donut production: 42 dz. per hour.
- 1 Year Parts & Labor.
- 24/7 Nationwide Service.

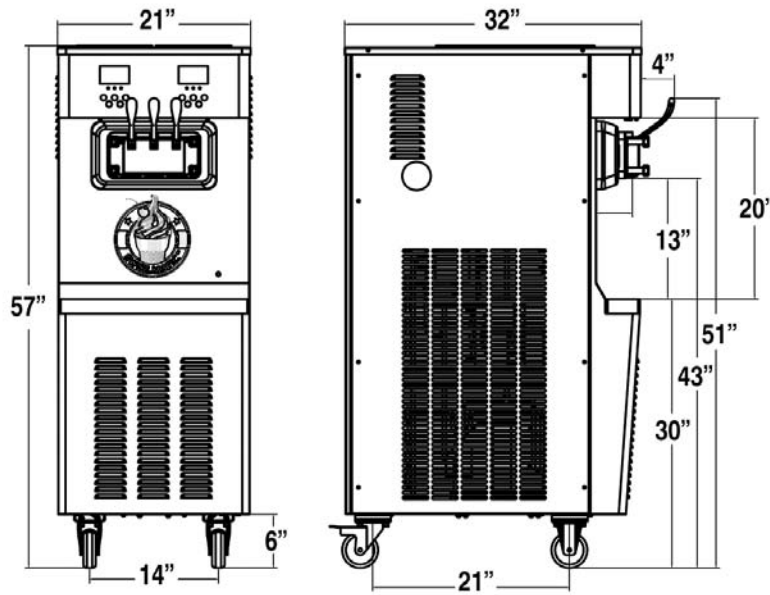


Plus This

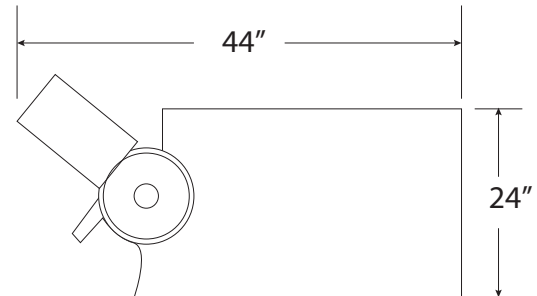




SWIRLMATIC™ SOFT-SERVE ICE CREAM/YOGURT MACHINE & DONUT ROBOT FRYER COMBO



Ice Cream Donut Sandwiches



MARK II DONUT ROBOT

Swirlmatic Options:

- Pasteurization System
- OEM Panel Design
- Transparent Dispensing Door

MODEL	TC392SE	FLAVORS:	TWIN TWIST SERVE
Dimension	21" (W) x 32" (D) x 57" (H)	Hopper Capacity	14Lx2
Power Supply	220/60Hz/1phs/4000w	Cylinder Capacity	2Lx2
Production	200*2cones/H(2.8 oz.)	Cooling System	Air
Weight	530 lbs.	Gas	R404a

MODEL	TC392SE	FLAVORS:	TWIN TWIST SERVE
DONUT ROBOT MARK II	220/60/1 Phase	Cake/Donuts	100 lbs. 42 dz. per hour

We deliver high quality equipment to last day in, day out with local Authorized Service Agencies throughout the U.S.A.

Direct Phone & Service: (516) 527-3309 • (888) 443-7014 • info@unisourcefoodequipment.com • unisourcefoodequipment.com
170 Wilbur Place, Suite 300, Bohemia, New York, 11716