

SWIRLMATIC[™] SOFT-SERVE ICE CREAM/YOGURT FREEZER

Swirlmatic[™] offers all the popular soft service choices from Low Fat or Non-Fat Ice Cream to Custards, Frozen Yogurts And Sorbet. Swirlmatic[™] offers two separate multi-flavors or a combination of both with easy to use technology. We deliver high quality equipment to last day in, day out with local Authorized Service Agencies throughout the U.S.A.



Features:

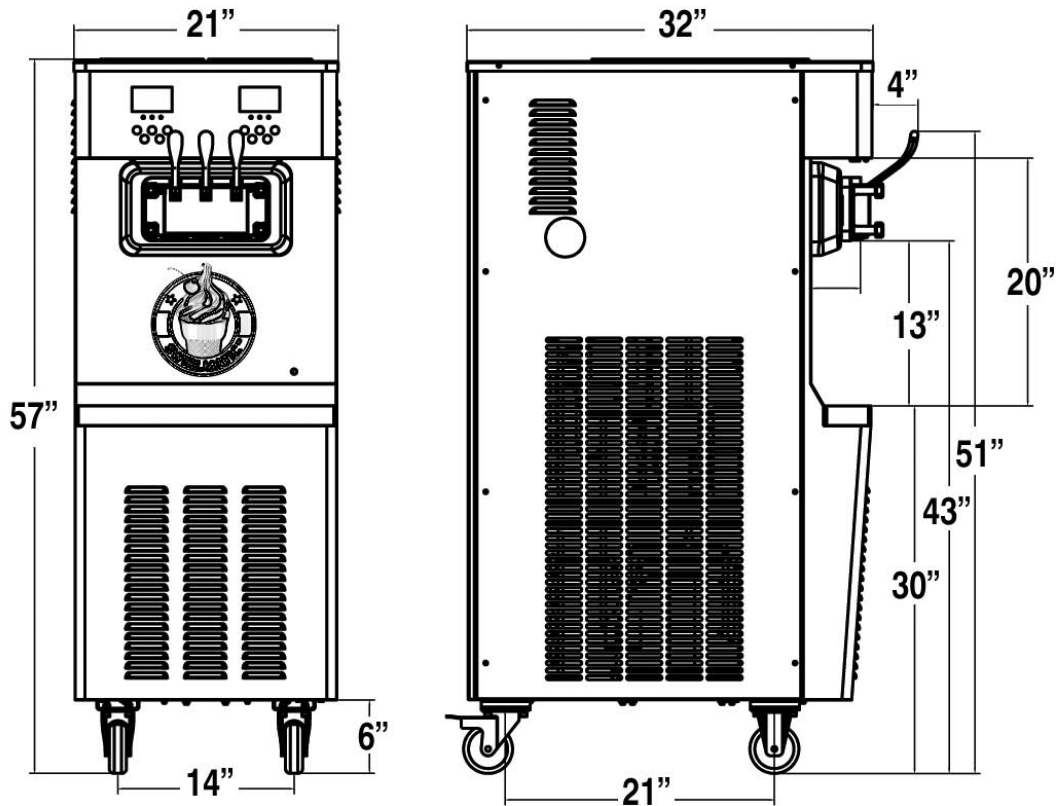
- Italian design.
- Easy to clean.
- Dual flavor multi function twin serve.
- Food grade quality parts.
- High quality Franch Tecumseh Compressor.
- UL and NSF approved.
- Pre-Cooling System - Floor Model.
- Stand by overnight features.
- Stainless Steel Beater.
- Agitation Hopper Mixer Technology.
- Low Level Alarm.
- LCD Digital Display.
- Italian Design - Easy to Clean.
- Low noise/defrost.
- Frequency Convertor Technology.
- Uniform dispensing.
- 1 Year Parts & Labor. 24/7 Nationwide Service.



UNI-TC392SE MULTI TWIN SERVE



SWIRLMATIC™ SOFT-SERVE ICE CREAM/YOGURT FREEZER



Options:

- Pasteurization System
- OEM Panel Design
- Transparent Dispensing Door

MODEL	TC392SE	FLAVORS:	TWIN TWIST SERVE
Dimension	21"(W) x 32"(D) x 57"(H)	Hopper Capacity	14L x 2
Power Supply	220/60Hz/1phase/4000w	Cylinder Capacity	2L x 2
Production	200*2cones/H(2.8 oz.)	Cooling System	Air
Weight	530 lbs.	Gas	R404a

Direct Phone & Service: (516) 527-3309 • (888) 443-7014 • info@unisourcefoodequipment.com • unisourcefoodequipment.com
170 Wilbur Place, Suite 300, Bohemia, New York, 11716

BAKERY AID INNOVATION™ is constantly engaged in a program of improving our products. Therefore, we reserve the right to change specifications without prior notice.
© BAKERY AID INNOVATION™™ is a Trademark of Unisource Food Equipment, JUNE 2020