



## HALSTON DESIGNER SERIES

### “G950” DISPLAY CASES WITH CURVED FRONT

#### REFRIGERATED & NON-REFRIGERATED STYLES



**STANDARD DISPLAY**  
UNI-G950A/ UNI-G950A-NR



**LARGE DISPLAY**  
UNI-G950W/ UNI-G950W-NR

**Standard Features:**

- Three Adjustable Lighted Shelves
- Two Glass End Panels
- Clear Glass Rear Sliding Doors
- Led Top Light And Shelf Lights & 8 Ft. Cord.
- Curved Double Pane Lift-Up or Fixed Front Glass
- Adjustable Legs With Casters
- Movable Shelves & Shelf Brackets

**Additional Features For Refrigeration Units**

- Fan Cooling Refrigeration System
- High Quality Digital Temperature Controller
- Sliding Out Condensing Unit For Easy Maintenance
- Automatic Defrost System
- CFC-Free R-134A Refrigerant
- Range Of Temperature: 41° F.

Model	Doors	Capacity		Shelves	Cabinet Dimensions			HP	Voltage	Amps	Wt. (lbs)
					L	D	H				
<b>REFRIGERATED DISPLAYS</b>											
UNI-G950A UNI-G950A-NLG*	2	18"x12" 15 Pcs (3x4+3)	18"x9" 21 Pcs (3x6+3)	3	59"	37 3/8"	54"	1/2	110V/60Hz	8.50	683
UNI-G950W UNI-G950W-NLG*	2	12 Pans		3	61"	42"	54"	1/2	110V/60Hz	9.20	716
<b>NON-REFRIGERATED DISPLAYS</b>											
UNI-G950A-NR UNI-G950A-NR-NLG*	2	18"x12" 15 Pcs (3x4+3)	18"x9" 21 Pcs (3x6+3)	3	59"	37 3/8"	54"	-	110V/60Hz	.45	529
UNI-G950W-NR UNI-G950W-NR-NLG*	2	12 Pans		3	61"	42"	54"	-	110V/60Hz	.45	573

\* -NLG Series has non-lifting front glass



## HALSTON DESIGNER SERIES

# “G950” DISPLAY CASES WITH CURVED FRONT

### REFRIGERATED & NON-REFRIGERATED STYLES

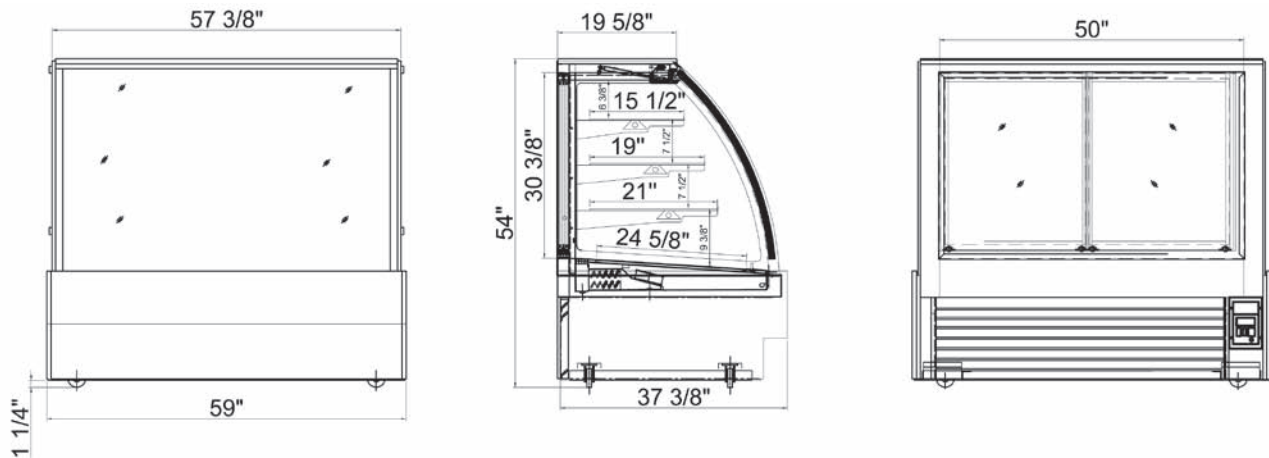
### Optional 24 Hour Monitoring System

Receive Wifi alerts detected from the display case! Be aware before its to late and losing perishable foods.

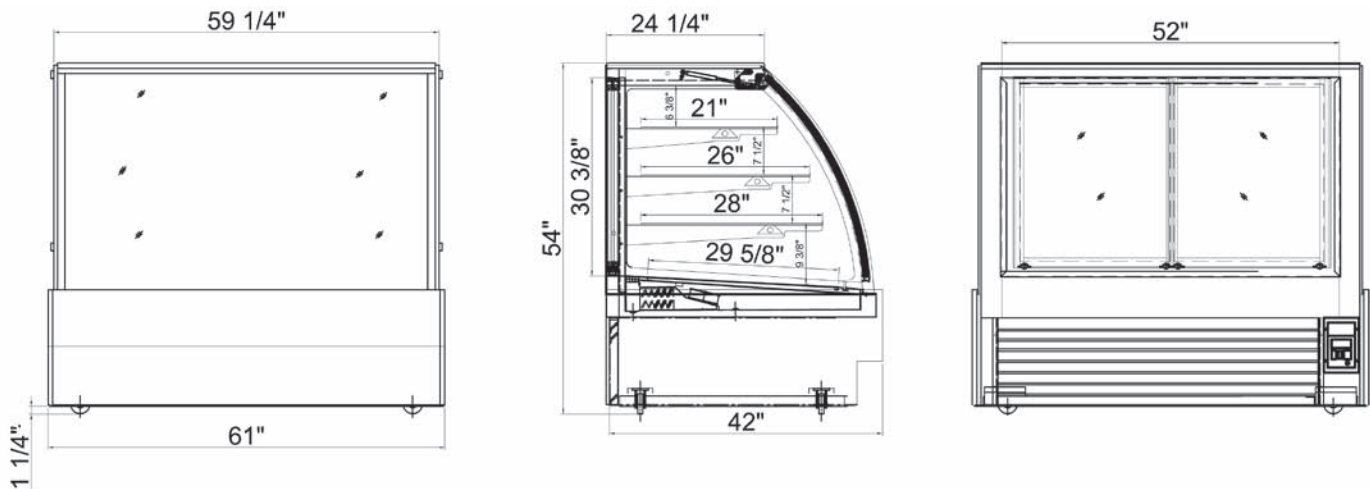
- Model: UNI-CDP-210**
- 3 temperature Sensors
  - 8.5" x 4.7" x 4.1"
  - 115V/60Hz.



### STANDARD DISPLAY UNI-G950A/UNI-G950A-NLG/UNI-G950A-NR/UNI-G950A-NR-NLG



### LARGE DISPLAY UNI-G950W/ UNI-G950W-NLG/UNI-G950W-NR/UNI-G950W-NR-NLG



Direct Phone & Service: (516) 527-3309 • (888) 443-7014 • [info@unisourcefoodequipment.com](mailto:info@unisourcefoodequipment.com) • [unisourcefoodequipment.com](http://unisourcefoodequipment.com)  
 170 Wilbur Place, Suite 300, Bohemia, New York, 11716