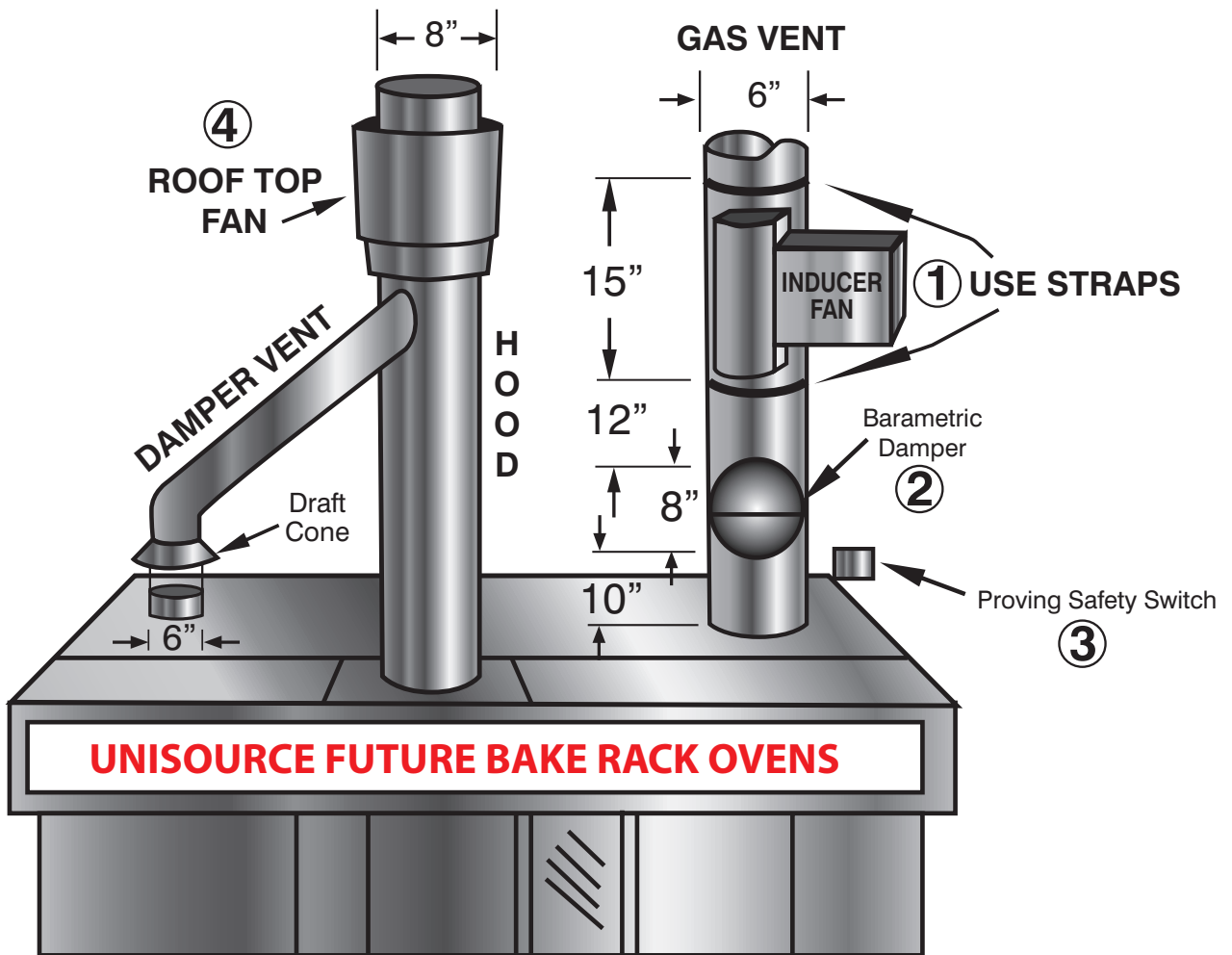


Follow the Leader™

## Single Rack Models Venting

UNI-X-1G



### Supplied By Contractor:

1. **DRAFT INDUCER:** Model D-3 T. Jernlund
2. **BAROMETRIC DAMPER:** 6" Model RC Field Controls
3. **PROVING SAFETY SWITCH:** Model PS1505 T. Jernlund
4. **ROOF FAN:** Hood Fan Model 4HZ41 Dayton
5. **VENTING:** MUST be installed to local codes.  
**No 90° angles in venting!**
6. **HOOD FLUE:** Single wall to roof (Non Combustion) to local codes
7. **COMBUSTION FLUE:** Single wall up to draft inducer then double wall to roof. Draft inducer is installed before double wall combustion flue pipe.

- 3/4" Gas Connection
- 3/4" Water Connection Inlet (1/2" Drain Connection)
- 6" Damper Flue Connection
- 6" Gas Flue
- 8" Hood Flue Combustion
- Static Line Pressure Require 6"-8" W.C. for Natural Gas
- 6"-8" W.C. for Liquid Propane
- 8" Hood Connection