



Follow the Leader™

Bakery Encore Series - Non-Refrigerated Self-Service Pull-Out Drawer Case



FEATURES	STANDARD	OPTIONS
EXTERIOR COLOR	<input type="checkbox"/> Painted	<input type="checkbox"/> Laminated (confirm pattern/grain direction)
INTERIOR COLOR	<input type="checkbox"/> Black	<input type="checkbox"/> White
REAR EXTERIOR COLOR	<input type="checkbox"/> White	<input type="checkbox"/> Black <input type="checkbox"/> Stainless Steel
TRIM COLOR	<input type="checkbox"/> Black	<input type="checkbox"/> Silver
END PANELS	<input type="checkbox"/> None (Specify Per Line-Up)	<input type="checkbox"/> Full With Mirror
FRONT	<input type="checkbox"/> Stay-Open Pull-Out Drawers	
BASKETS	<input type="checkbox"/> 4"H Chrome Wire Baskets	<input type="checkbox"/> 1 1/2"H Black wire baskets <input type="checkbox"/> 1 1/2"H Chrome wire baskets <input type="checkbox"/> 4"H Black Wire Baskets
REAR DOORS	<input type="checkbox"/> Clear Glass Rear Sliding Doors	<input type="checkbox"/> Reflective Glass Rear Sliding Doors <input type="checkbox"/> Solid Back Panel
LIGHTS	<input type="checkbox"/> T-8 Top Lights(s)	<input type="checkbox"/> LED top & shelf lights
ELECTRICAL CONNECT	<input type="checkbox"/> Leads	<input type="checkbox"/> 12" power cord
MISCELLANEOUS	<input type="checkbox"/> Tissue Box Holder	<input type="checkbox"/> 1" Bumper On Front & Ends <input type="checkbox"/> Clear Plastic Basket Liners <input type="checkbox"/> Tongs

Other Color Choices By WilsonArt® Are Available Upon Request

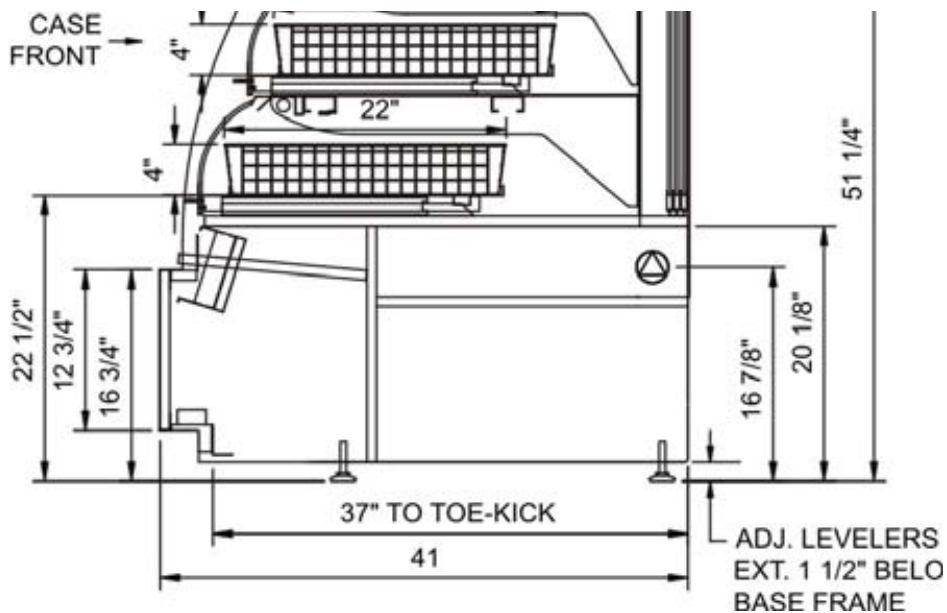
Direct Phone & Service: (516) 527-3309 • (888) 443-7014 • info@unisourcefoodequipment.com • unisourcefoodequipment.com
170 Wilbur Place, Suite 300, Bohemia, New York, 11716



Follow the Leader™

STANDARD

Model	L x D x H Lengths do not include 1" end panels)
HVB38SS	38"L x 41"D x 51-1/4"H
HVB56SS	56"L x 41"D x 51-1/4"H
HVB74SS	74"L x 41"D x 51-1/4"H



INTENDED ENVIRONMENT:

Designed to operate in ambient conditions of 75°F with 55% relative humidity.

Direct Phone & Service: (516) 527-3309 • (888) 443-7014 • info@unisourcefoodequipment.com • unisourcefoodequipment.com
170 Wilbur Place, Suite 300, Bohemia, New York, 11716